

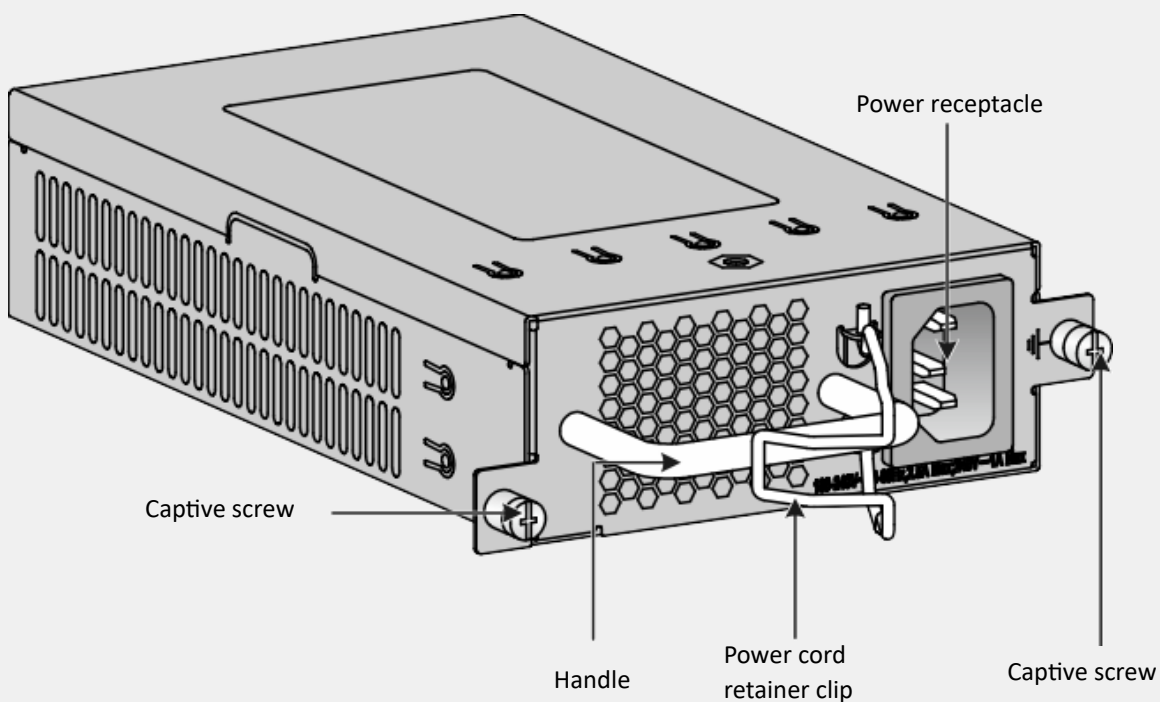
intelbras

**Intelbras CA-70A12
Power Supply User
Manual**

Intelbras CA-70A12 Power Supply User Manual

About the power supply

CA-70A12 is a DC-output power supply that supports both AC input and DC input. It provides a maximum output of 70 W.



Feature	Description
Security protection	Provide overvoltage, short-circuit, overcurrent, and overtemperature protections.
Support for redundancy configuration	Two power supplies can be connected in parallel to achieve 1+1 redundancy.
Hot swappable	You can remove one of power supplies in 1+1 redundancy while the device is operating. Before removing a power supply, first disconnect it from the external power supply system.

Protectionfunction	Protection state	Support for auto-recovery
Output overvoltage protection	The power supply is locked and stopssupplying power.	No
Short-circuitprotection	The power supply stops supplying power.	Automatically restores power supplying after the short circuitcondition is cleared.
Overcurrentprotection	The power supply stops supplying power.	Automatically restores power supplying after the output current decreases to an acceptable range.
Overtemperature protection	The power supply stops supplying power.	Automatically restores power supplying after the temperature decreases to an acceptable range.

The power supply cannot resume normal operation automatically after itis locked. Use the following procedure to resume the power supply operation after it is locked:

- Disconnect the power cord from the external power supply system
- Disconnect the power cord from the power supply and then reconnect it to the power supply.
- Connect the power cord to the external power supply system.

Technical specifications

Item		Specifications
AC input	Rated voltage range	100 VAC to 240 VAC @ 50 Hz or 60 Hz
	Max voltage range	90 VAC to 290 VAC @ 47 Hz to 63 Hz
	Max input current	2.5 A
HVDC input	Rated voltage range	240 VDC
	Max voltage range	180 VDC to 320 VDC
	Max input current	1A

Item	Specifications
Output voltage	12 V
Max output current	5.83 A
Max output power	70 W
Dimensions (H × W × D)	41.1 × 101.6 × 177 mm (1.62 × 4 × 6.97 in)
Weight	0.6kg (1.32 lb)
Operating temperature	-10°C to 55°C (14°F to 131°F)
Relative humidity	5% to 95%, noncondensing
Storage temperature	-40°C to 70°C (-40°F to +158°F)

Preparing for installation

1 Safety recommendations

- When installing and removing the power supply, wear an ESD wrist strap and make sure the wrist strap makes good skin contact.
- Before installing the power supply, make sure the operating voltage of the external power supply system is as required by the power supply, and the output voltage of the power supply is as required by the powered device.
- To avoid bodily injury, do not touch any bare wire or terminal.
- Never place the power supply in a wet area and prevent fluid from flowing into the power supply.
- To avoid damages, do not open the power supply. When an internal circuit or component of the power supply fails, contact Intelbras Support.
- Before installing or removing the power supply, make sure no power cord is connected to it.

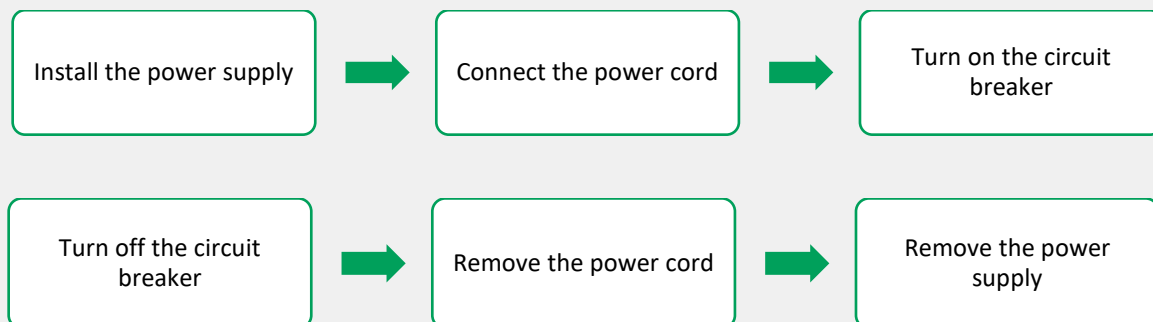
2 Installation tools

- Prepare the following tools yourself for installing and removing the power supply: flat-head screwdriver, Philips screwdriver, and ESD wrist strap.

Installing and removing the power supply

1 Power supply installation and removal process

- To avoid device damage or bodily injury, you must strictly follow the installation and removal procedures in the following figures.



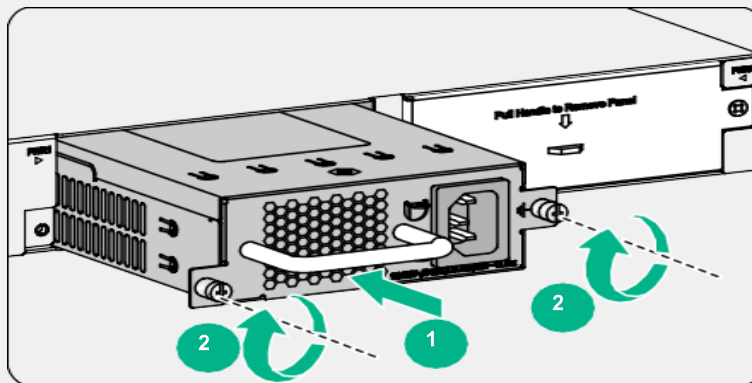
2 Installation the power supply

- Verify that the power supply is compatible with the device before installing it. For more information, see the installation guide for the device.
 - To prevent damage to the power supply or the connector on the backplane of the powered device, insert the power supply gently.
 - If you insert the power supply upside down, you will encounter a hard resistance because of the special structure designs of the slot and power supply. You must pull out the power supply, orient it correctly, and insert it again.
 - If the captive screw cannot be tightly fastened, examine the installation of the power supply.
- ① Wear an ESD wrist strap and make sure it makes good skin contact and is reliably grounded.

② Unpack the power supply and verify that the power supply model is correct.

③ Correctly orient the power supply. Grasping the power supply handle with one hand and supporting the power supply bottom with the other, insert the power supply slowly into the slot along the guide rails. See callout 1 in the following figure.

④ Use a Phillips screwdriver to fasten the captive screws on the power supply to secure it in the chassis. See callout 2 in the following figure.

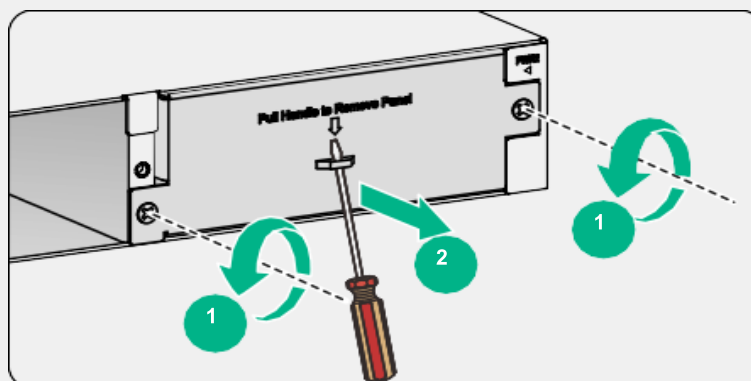


3 Removing the power supply filler panel

- Before installing a power supply, remove the filler panel (if any) from the target power supply slot.

① Use a Phillips screwdriver to remove the screws on the filler panel, as shown by callout 1 in the following figure.

② Insert a flat-head screwdriver into the holder on the filler panel and then pull the filler panel out of the slot along the guide rails gently. See callout 2 in the following figure.



4 Connecting the power cord

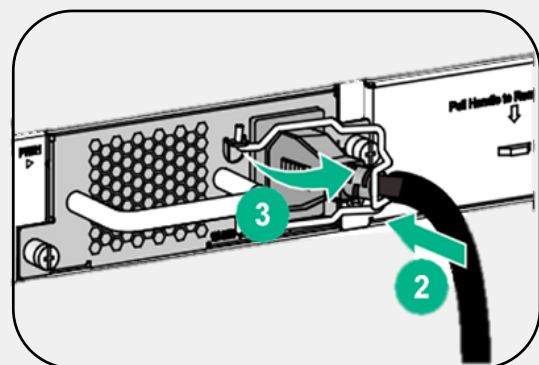
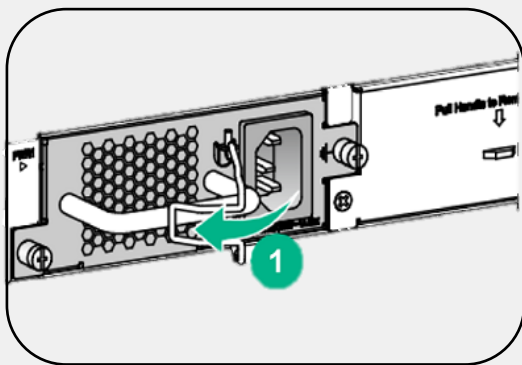
- Make sure the power cord has a separate circuit breaker.
- Turn off the circuit breaker before connecting the power cord.
- The power cord in the following figure is for illustration only. The power cord for your country or region might differ from this one.

① Pull the power cord retainer clip leftward, as shown by callout 1 in the following figure.

② Connect one end of the power cord to the power receptacle, as shown by callout 2 in the following figure.

③ Pull the power cord retainer clip rightward to secure the power cord plug in place, as shown by callout 3 in the following figure.

④ Connect the other end of the power cord to an AC or DC power source.

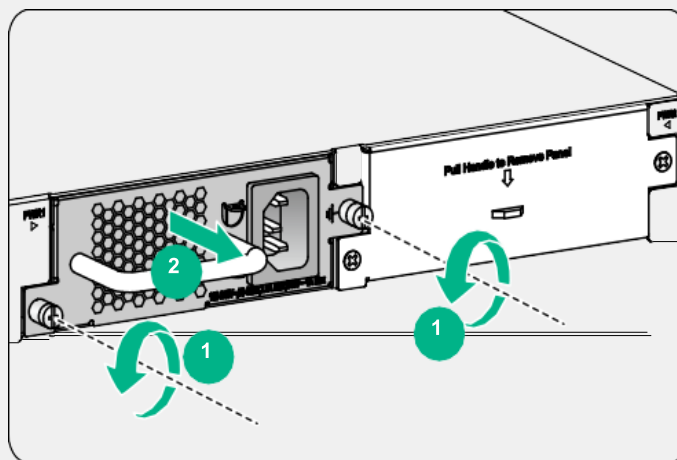


5 Removing the power supply

① Disconnect the power cord from the power supply and the external power supply system.

② Face the front of the power supply.

- ③ Use a Phillips screwdriver to loosen the captive screws on the power supply until the captive screws are disengaged from the device. See callout 1 in the following figure.
- ④ Grasping the handle of the power supply with one hand, pull it part way out. Then supporting the power supply bottom with the other hand, pull the power supply slowly out of the slot along the guide rails. See callout 2 in the following figure.
- ⑤ Put the removed power supply into an antistatic bag.



Box Content: 1 x power supply, 1 x 2 meters Brazil standard power cable

Compatible with: SC 3570 Series.