



# 802.3at/af Gigabit Power-over-Ethernet Adapter

The EnGenius 802.3at/af Gigabit PoE Adapter gives network administrators the flexibility to extend power to PoE-compliant network devices in locations where power outlets may not be readily available, such as on ceilings or in crawl spaces, while also connecting them to the company network. By combining high-speed Gigabit and power over the same CAT5/6 cable, the EPA5006GAT ensures maximum device performance.

The EnGenius 802.3at/af Gigabit PoE Adapter supports high-speed data and up to 30-watts of power for compliant devices, such as Access Points, IP Cameras or VoIP phones, up to 328-feet away over a single CAT5/6 cable for flexibility in deployment options.

Compact optimal port design provides easy, precise installation. With disconnect, short-circuit and surge protection, valuable equipment is guarded from power surges or short-circuits associated with lightning strikes and electrostatic discharge (ESD).

## Features

- Delivers both data & power to 802.3at/af PoE-compliant devices
- Ideal for connecting APs, IP Cameras, VoIP phones & more
- Optimal port design for easy mounting/positioning
- Compact design
- Extends power to unwired areas up to 328-ft./100m
- Gigabit Ethernet in & out ports for high-speed devices
- Disconnect, short-circuit & surge protection ensures reliable, secure connections
- Sends up to 30W of output power
- Mounts to walls or ceilings with included hardware

## Technical Specifications

### Standards

802.3 10BaseT  
802.3u 100BaseT  
802.3ab Gigabit Ethernet

802.3at/af Power-over-Ethernet

### Maximum Output Power

30W

### Compliance

IEC 60950-1:2005+A1  
UL60950-1  
ENS55022:2010  
EN55024:2010  
FCC Part 15 Class B  
FCC, CE

### Physical Interface

(1) Gigabit Data Port  
(1) Gigabit Data & Power Output Port  
(1) IEC-320 C6 AC Connector

### LED Indicator

1 x Power on Green



## Technical Specifications continued

### Mounting

Wall (anchors & screws included)

### Power

#### Input Voltage

100 to 240VAC

#### Input Current

0.8A Max for 100VAC

#### AC Input Frequency

47-63Hz

### Power Lines

Pin4, 5:54V, Pin7, 8:Return

### Added Protection Features

Short-Circuit

Surge (over current/over voltage)

### Environmental & Physical

#### Temperature Range

Operating: 32°F to 104°F (0°C to 40°C)

Storage: -22°F to 176°F (-30°C to 80°C)

#### Humidity (non-condensing)

Operating: 5 to 90% or less

Storage: 5 to 90% or less

### Dimensions & Weights:

#### EPA5006GAT Device (Without Mounting Kit)

Weight: .33 lbs (149.6 g)

Length: 3.9" (99 mm)

Width: 2.27" (68.5 mm)

Height: 1.3" (33 mm)

### Packaging

Weight: .57 lbs (258.5 g)

Length: 5.4" (139 mm)

Width: 4.8" (122.5 mm)

Height: 2" (52 mm)

### Package Contents

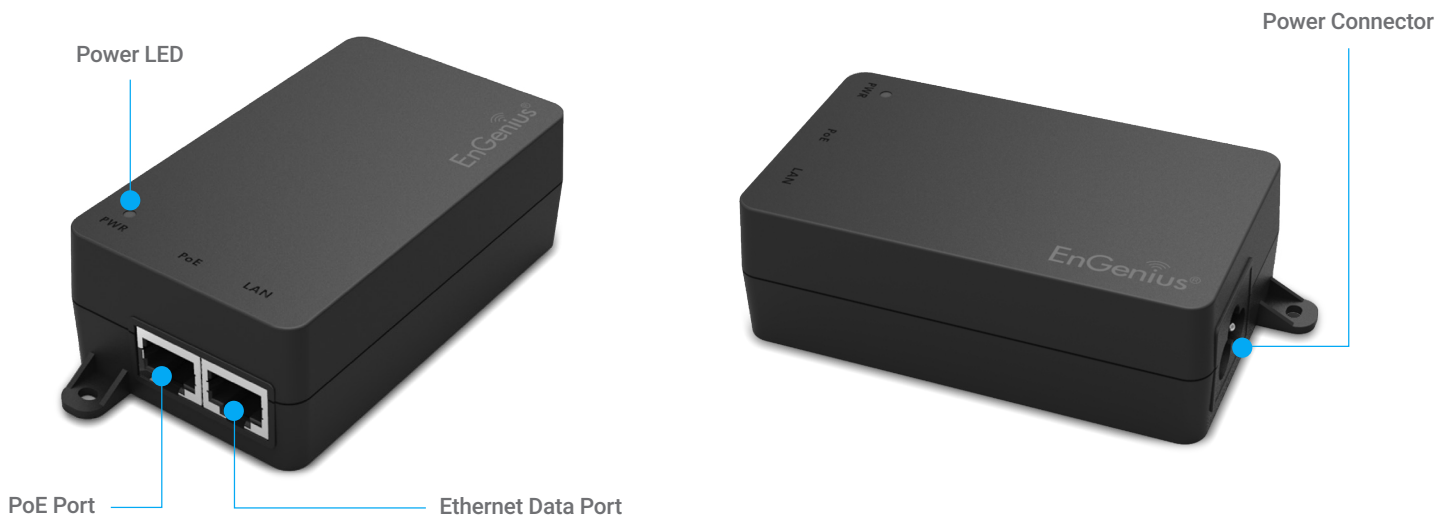
EPA5006GAT Gigabit PoE Adapter

Power Supply

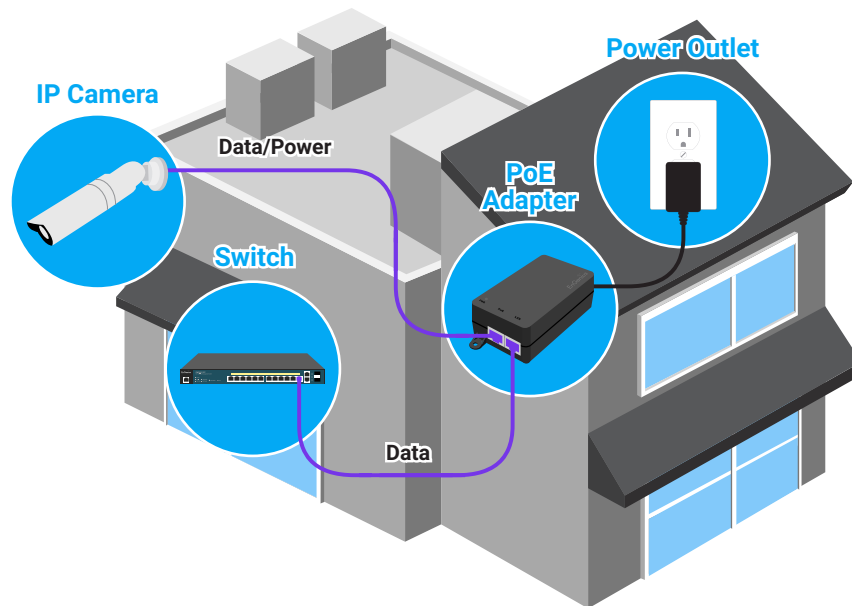
### Warranty

1 Year

## EPA5006GAT Gigabit PoE Adapter



## EPA5006GAT Gigabit PoE Adapter Application



Maximum data rates are based on IEEE 802.11/802.3 standards. Actual throughput and range can vary depending on many factors including environmental conditions, distance between devices, radio interference in the operating environment and mix of devices in the network. Features and specification subject to change without notice. Trademarks and registered trademarks are the property of their respective owners. Copyright © 2015 EnGenius Technologies. All rights reserved.

EnGenius Technologies | 1580 Scenic Ave. Costa Mesa, CA 92626

Email: [partners@enginustech.com](mailto:partners@enginustech.com) | Phone: 888-735-7888 | Website: [enginustech.com](http://enginustech.com)

Version 1.1 07/27/2017

Features and specifications subject to change without notice. Trademarks and registered trademarks are the property of their respective owners. For United States of America: Copyright © 2017 EnGenius Technologies, Inc. All rights reserved.