



300 Mbps Wi-Fi 4G LTE Router

Wi-Fi Where You Need It



TL-MR105



4G(TDD&FDD)/
3G Compatible



300 Mbps
Wi-Fi Speed†

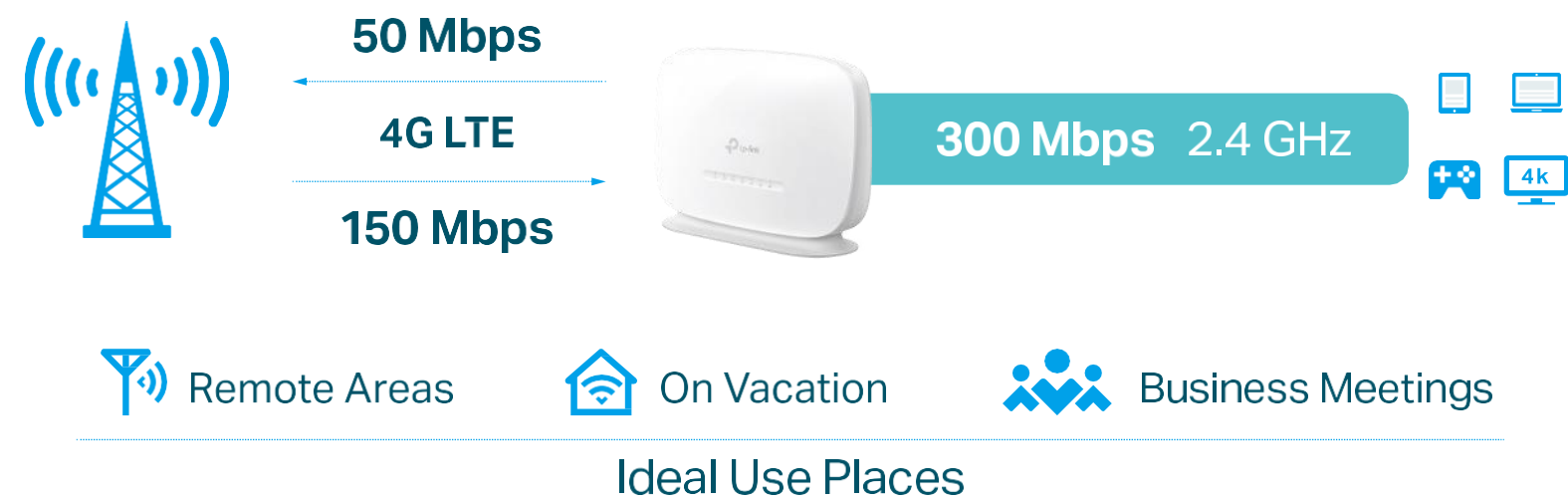


Supports Up to
32 Devices†

Highlights

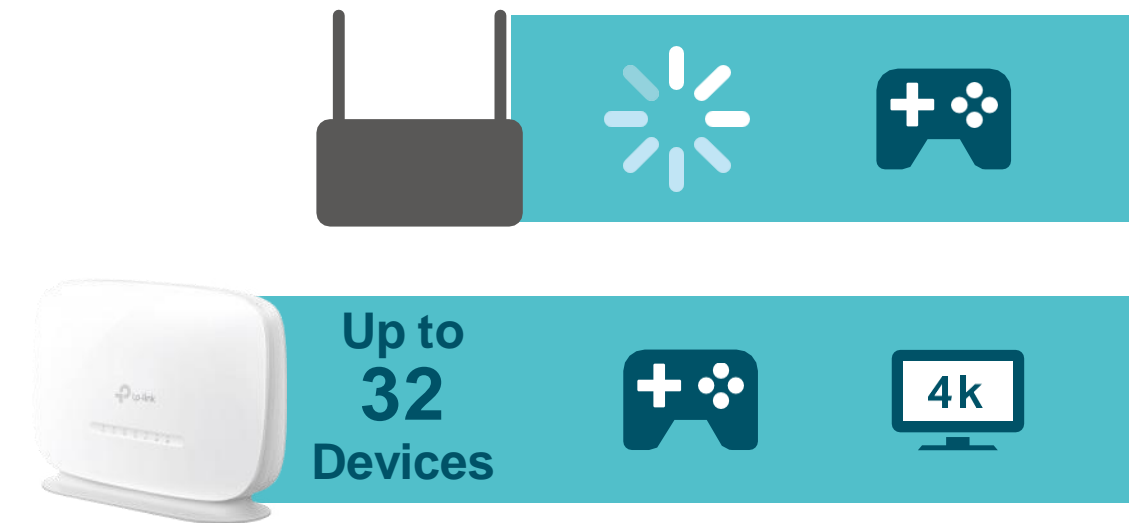
Superfast 4G LTE Speed for Reliable Wi-Fi

The TL-MR105 uses 4G LTE technology to achieve speeds of up to 150 Mbps download and 50 Mbps upload. It also shares a Wi-Fi network with maximum speed of 300 Mbps on 2.4 GHz for gaming, streaming, and more.†



Supports Up to 32 Devices

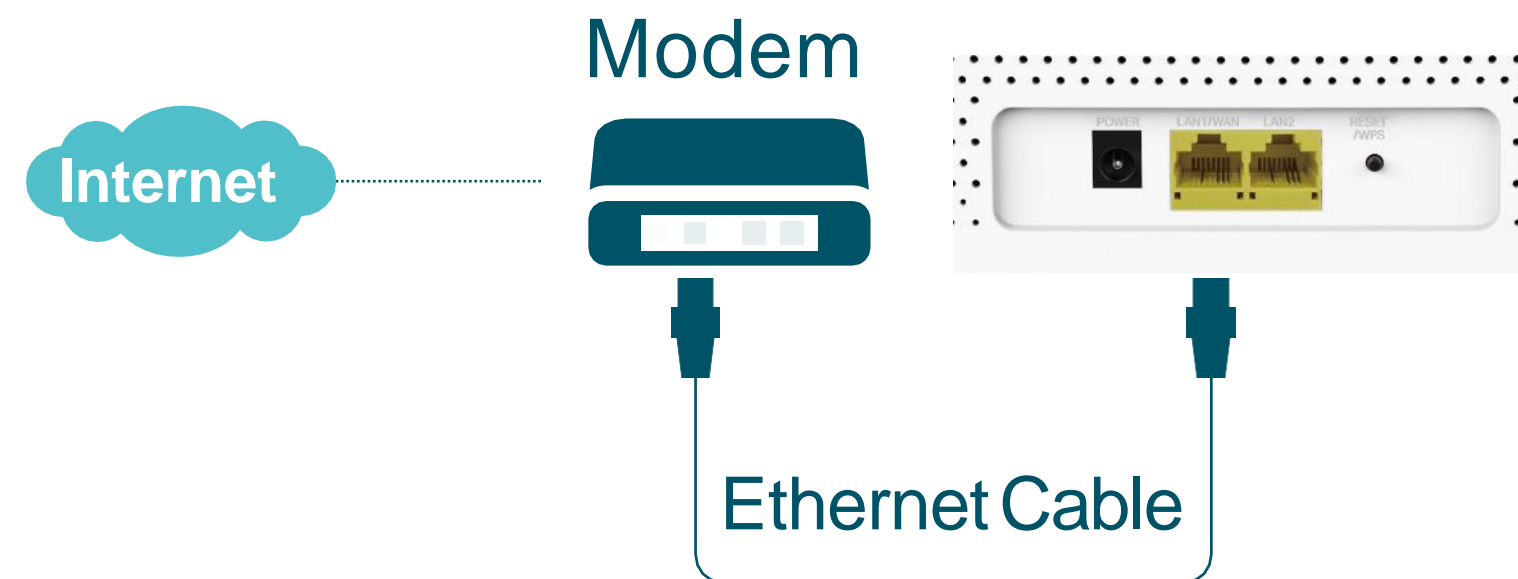
Easily share a 3G/4G connection. Connect up to 32 wireless devices with ease while ensuring dependable network stability.†



Highlights

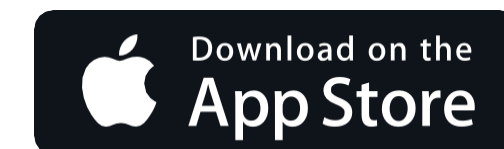
Available WAN Connection Backup

With a fully functional WAN/LAN port, TL-MR105 can work as a router which is compatible with cable, fiber, and DSL modems.



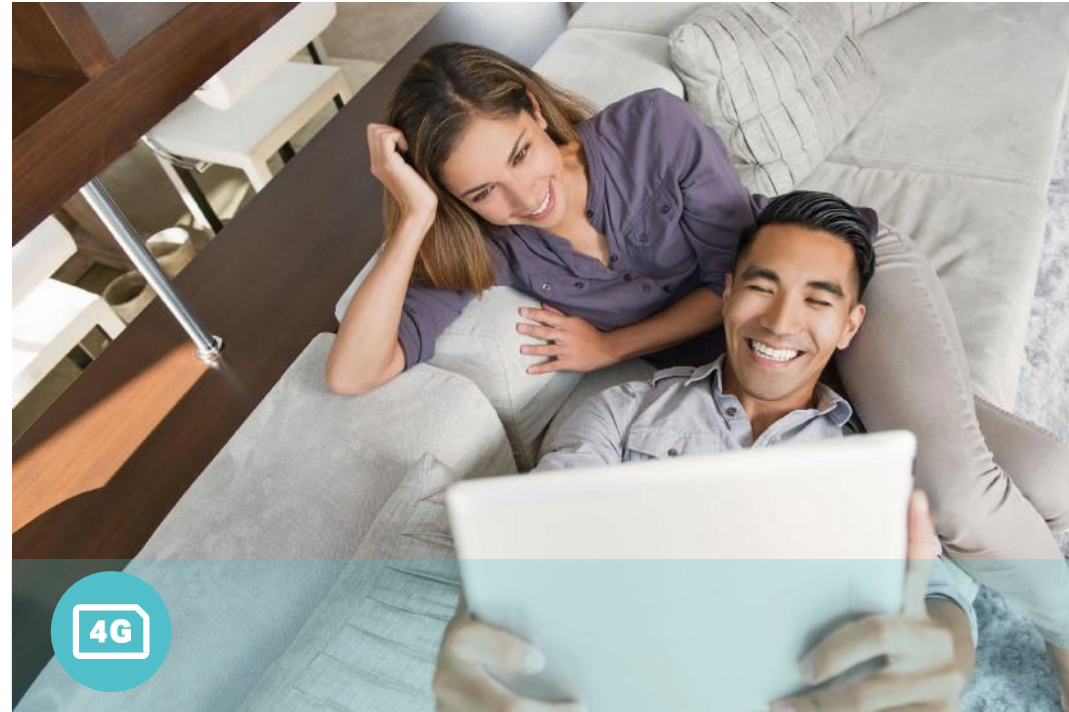
Easy Setup and Use

Installation is simple, thanks to an intuitive web interface and the powerful TP-Link app, Tether. Tether lets you manage your network settings with your smartphone.



Scan the QR code to download TP-Link Tether.

Features



4G LTE

- **4G LTE** – Ideal for cutting-edge 4G LTE network
- **Faster Connection** – Download Speed 150 Mbps + Upload Speed 50 Mbps
- **Backward Compatible** – Compatible with 3G/4G network



Wi-Fi Speed

- **300 Mbps Wireless Speed** – 300 Mbps Wi-Fi allows stable speed for wireless activities, such as streaming, browsing and posting social media



Reliability

- **Superior Stability** – Powerful processor enables you to connect up to 32 wireless devices with ease
- **WAN Connection Backup** – Works as a router to provide backup internet connection

Features



Ease of Use

- **Intuitive Web UI** – Ensures quick and simple installation without hassle
- **Fast Encryption** – One-touch WPA wireless security encryption with the WPS button
- **Hassle-free Management with Tether App** – Network management is made easy with the TP-Link Tether app, available on any Android and iOS device



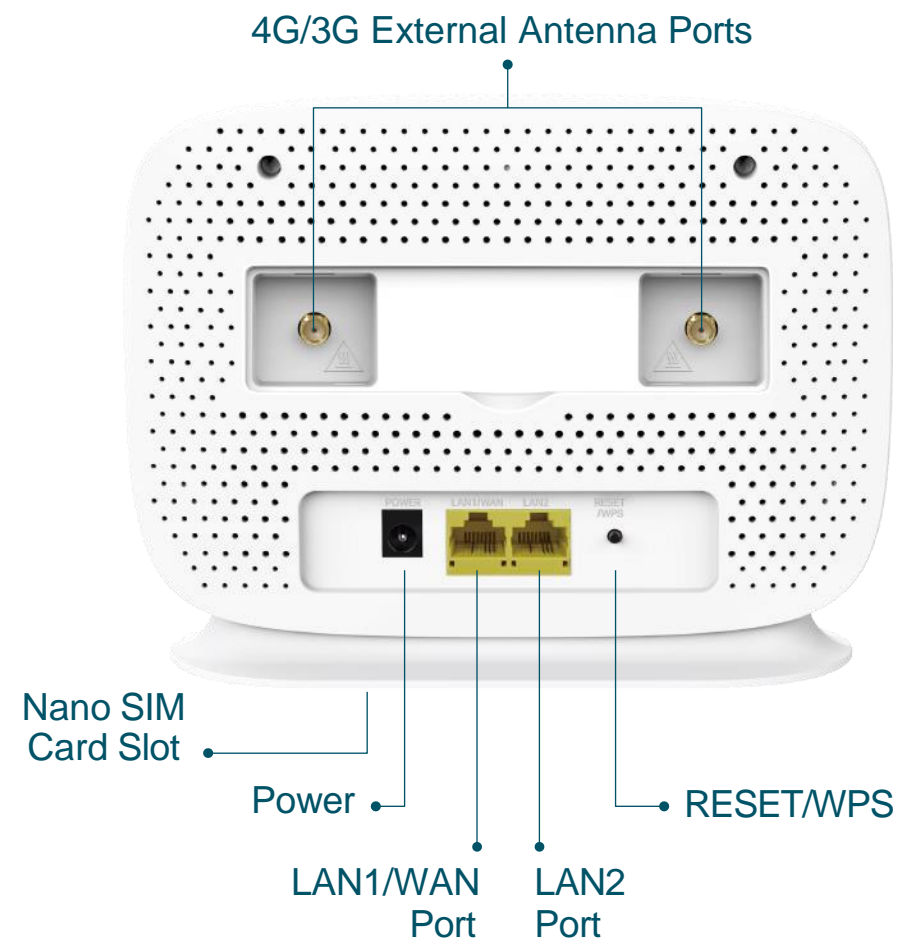
Security

- **Guest Network** – Keeps your main network secure by creating a separate network for friends and visitors
- **Parental Controls** – Whether you want to block websites, set time limits or pause the internet, you can do it all
- **Encryptions for Secure Network** – WPA-PSK and WPA2-PSK encryptions provide active protection against security threats

Specifications

Hardware

- LTE: Download Speed 150 Mbps + Upload Speed 50 Mbps
- Antennas: 2× Internal LTE/4G Antennas + 2× Internal Wi-Fi Antennas + 2× External Antenna Ports
- Interface: 1× 10/100 Mbps LAN/WAN + 1× 10/100 Mbps LAN + 1× Nano SIM Card Slot
- Dimensions: 6.85×5.12×2.36 in (174×130×60 mm)
- External Power Supply: 9V/0.85A



Wireless

- Network Type
 - 4G: FDD-LTE: B1/B3/B5/B7/B8/B20/B28 (2100/1800/850/2600/900/800/750 MHz)
TDD-LTE: B38/B40/B41 (2600/2300/2500 MHz)
 - 3G: HSPA+/UMTS: B1/B5/B8 (2100/850/900 MHz)
- Wireless Standards: IEEE 802.11b/g/n
- Frequency: 2.4 GHz
- Signal Rate: 300 Mbps
- EIRP: ≤ 23 dBm (2.4 GHz)
- Reception Sensitivity:
 - 11g 54M: -74dBm
 - 11n HT20: -73dBm
 - 11n HT40: -70dBm
- Wireless Function: Enable/Disable Wireless Radio, Wireless Schedule, WMM, Wireless Statistics
- Wireless Security: 64/128-bit WEP, WPA/WPA2, WPA-PSK/WPA2-PSK encryptions

Specifications

Software

- **Operating Modes:** 3G/4G Router, Wireless Router
- **WAN Type:** Dynamic IP/Static IP/PPPoE/PPTP(Dual Access)/L2TP(Dual Access)
- **DHCP:** Server, DHCP Client List, Address Reservation
- **Port Forwarding:** ALG, Virtual Server, Port Triggering, UPnP, DMZ
- **Dynamic DNS:** DynDns, NO-IP
- **Security:** IPv4 SPI Firewall, IP and MAC Address Binding
- **Protocols:** IPv4, IPv6
- **Management:** Local Management, Remote Management
- **Administration:** Upgrade Firmware, Factory Default, System Log, Diagnostic Tools
- **Guest Network:** 2.4 GHz Guest Network

Others

- **Certification:**
CE, RoHS
- **Requirements:**
Internet Explorer 11+, Firefox 12.0+, Chrome 20.0+, Safari 4.0+, or other JavaScript-enabled browser
Nano SIM Card
- **Environment:**
Normal Operating Temperature:0°C-40°C
Extreme Operating Temperature:-10°C-55°C (Tested by Vietnam government authoritative lab)
Operating Humidity: 10%~90% non-condensing
Storage Humidity: 5%~90% non-condensing
- **Package Contents**
300Mbps Wireless N 4G LTE Router TL-MR105
Power Adapter
RJ45 Ethernet Cable
Quick Installation Guide



For more information, please visit

<https://www.tp-link.com/products/details/?model=TL-MR105>

or scan the QR code left

©2023 TP-Link

*Maximum wireless signal rates are the physical rates derived from IEEE Standard 802.11 specifications. Actual wireless data throughput and wireless coverage, and quantity of connected devices are not guaranteed and will vary as a result of network conditions, client limitations, and environmental factors, including building materials, obstacles, volume and density of traffic, and client location.

*Actual network speed may be limited by the rate of the product's Ethernet WAN or LAN port, the rate supported by the network cable, Internet service provider factors and other environmental conditions.

www.tp-link.com

TP-Link 300 Mbps Wireless N 4G LTE Router TL-MR105